

CATALOGUE
EDITÉ LE 2017-04-21 15:33

*Pure Freude
an Wasser*

GROHE
WAVE

GROHE.COM



PURE FREUDE AN WASSER.

Life-giving, universal, joyful – water itself is the source of inspiration for the whole of our distinctive product portfolio. Each of these products is always based on our four core values:

Quality, Technology, Design and Sustainability. Balancing these in everything we do, allows us to deliver unrivalled water enjoyment to our customers.



QUALITY

GERMAN PERFECTIONISM INSPIRES ULTIMATE CUSTOMER CONFIDENCE.

We strive for an excellence that goes way beyond the surface of our products. In fact, from design to production and customer service we aim for nothing less than perfection at every stage. Our history of great German engineering, rigorous internal tests and numerous external certification processes are what gives our customers complete confidence in a name they can trust.

TECHNOLOGY

MASTERING WATER THROUGH TECHNOLOGY.

In our relentless search for technological innovation we work to integrate the latest digital advances, creating smart solutions that enhance our customers' enjoyment of water. Our in-house experts harness the power of water to enhance the experience of our customers every day – the moment of truth, for our products and brand.



DESIGN

SIGNATURE ELEMENTS STYLED TO PERFECTION.

An empathetic and intuitive design language offers us the opportunity to create products that feel as if they were designed just for you. This unique GROHE DNA that is both ergonomic and visually distinctive has earned us numerous design awards: world class references are testimony to our world-wide recognition.



SUSTAINABILITY

ENSURING WATER ENJOYMENT FOR GENERATIONS TO COME.

Water is as essential as the air that we breathe, one more reason why we are so passionate about it. To be able to offer "Pure Freude an Wasser", not just to today's consumer but for generations to come, we offer sustainable product solutions like GROHE Blue, GROHE EcoJoy and GROHE SilkMove ES, and we demonstrate through our Sustainability Report and Sustainability accolades that we have made a serious corporate commitment to protecting the planet.




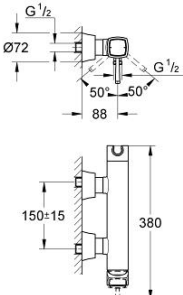
Winner 2017

SOMMAIRE

23 316 000 Grandera Mitigeur monocommande Douche

1

GROHE.COM

		Référence Produit	Couleur
<p>1</p> 		<p>23 316 000</p>	<p>chrome</p>
		<p>23 316 000 Grandera Mitigeur monocommande Douche</p> <p>Montage mural apparent GROHE SilkMove Cartouche en céramique 46 mm GROHE StarLight chrome éclatant et durable Support pour douchette intégré 1 sortie 1/2" Clapet anti-retour intégré Raccords S à rosaces</p>	

GROHE.COM

NOTES

Area containing multiple horizontal grey bars for notes.